

GLS - Installation



The quick-up assembly system is a black aluminum grid support system. User friendly the grid offers installation reliability while providing a perfect visual result. No tools are needed to assemble the inter-locking components. A fully demountable version is available, ideal when access to the ancillary systems is required.

DEMOUNTING

When the Ribs are installed with the spring clips, they can be demounted by gently pulling close to all the points of connection (U-FIX + spring clip), starting at one of the ends. Do not try to pull down the whole Rib by pulling at one of the ends only.

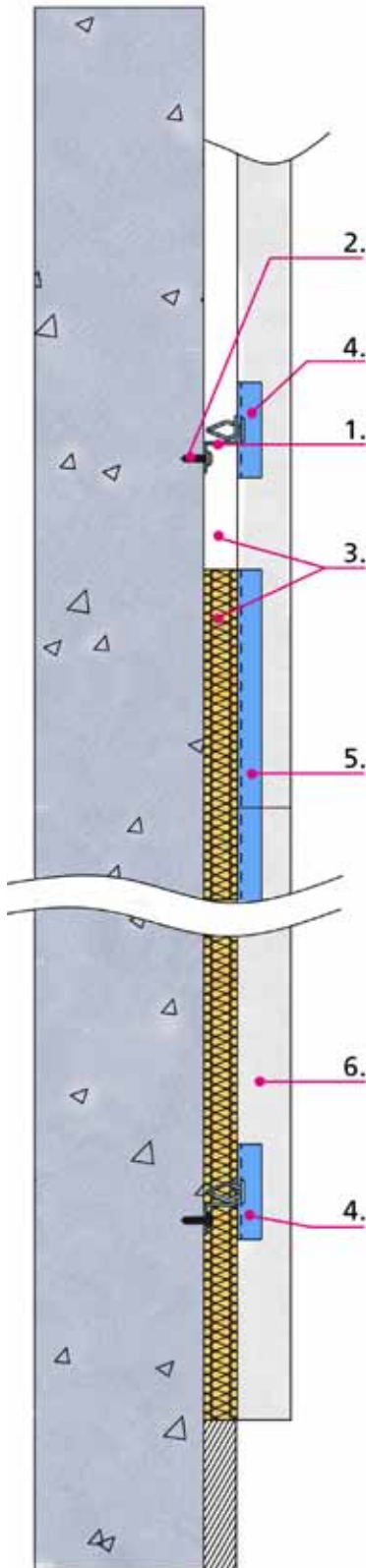
RE-INSTALLING

In the case of a re-installation of a removed Rib, be sure all spring clips are properly aligned with the center of the holes in the BASE-C or BASE-W profiles before pressing firmly home.

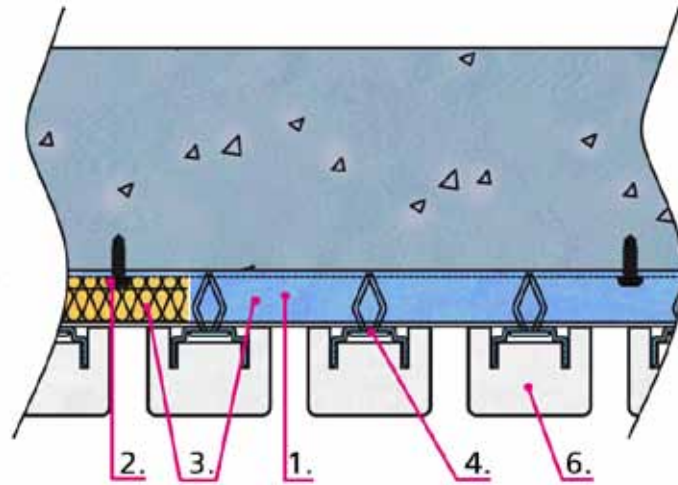
GUSTAFS ::::

GLS - Wall installation

2013.03



1. Capax BASE-W
2. Screw
3. Air gap or insulation
4. Capax U-FIX
5. Capax in-line connector
6. Gustafs Rib's



INSTALLATION WITH AIR GAP

- A. Carefully mount the Capax profile BASE-W (1) every 600 mm with the help of a laser-level and spacers.
- B. Attach the Capax U-FIX clips (4) flush to the BASE-W profile (1) with demountable clips or permanent screws.
- C. Twist the U-FIX clips 90° into a perpendicular position to the BASE-W.
- D. Carefully attach the Ribs to the U-FIX clips by using a rubber hammer. Use a fixture, during this installation step D, to align the Ribs. If needed, carefully re-align by hitting the ends of the Ribs with a rubber hammer and using a wooden protection block.

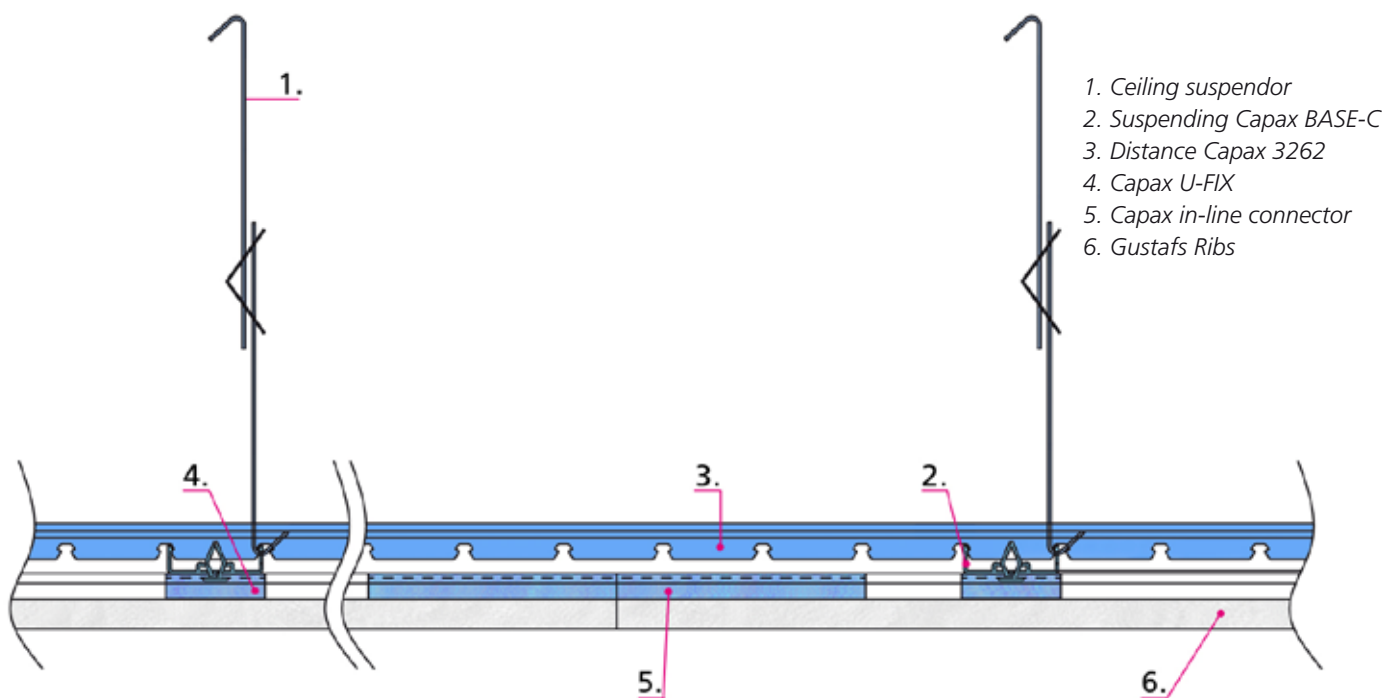
INSTALLATION WITH INSULATION & ACOUSTEX

- A. Optional: First mount a framework of wooden battens to the wall with the help of a laser-level and spacers.
- B. Mount the Capax profile BASE-W (1) every 600 mm.
- C. Install the 17 mm insulation material (3). Alternatively 45 mm insulation in combination with 28 mm thick wooden battens.
- D. Install the Acoustex felt with some double sided tape to keep it in place during the installation.
- E. Attach the Capax U-FIX clips (4) flush to the BASE-W profile (1) with demountable clips or permanent screws. This also holds the Acoustex in place permanently. Depending on the type of Acoustex you might need to hole punch the felt before inserting the demountable clips.
- F. Twist the U-FIX clips 90° into a perpendicular position to the BASE-W.
- G. Carefully attach the Ribs to the U-FIX clips by using a rubber hammer. Use a fixture, during this installation step G, to align the Ribs. If needed, carefully re-align by hitting the ends of the Ribs with a rubber hammer and using a wooden protection block.

GUSTAFS

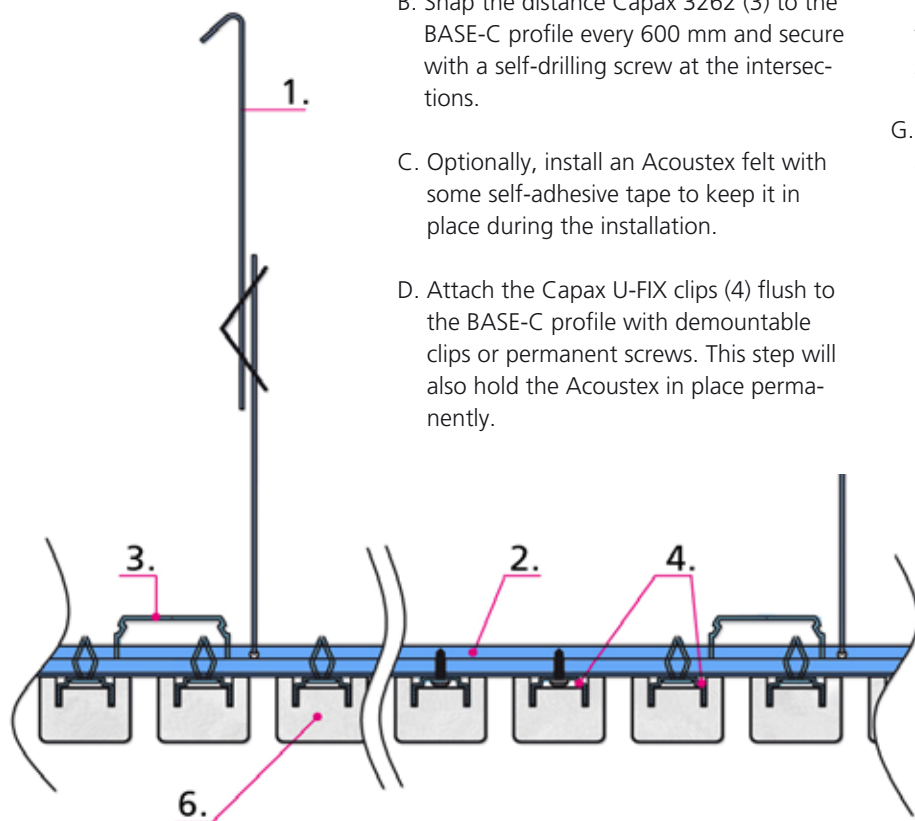
GLS - Ceiling installation

2013.03



1. Ceiling suspender
2. Suspending Capax BASE-C
3. Distance Capax 3262
4. Capax U-FIX
5. Capax in-line connector
6. Gustafs Ribs

- A. Suspend the Capax profile BASE-C (2) from the ceiling every 600 mm. Connect in line with 3262-6H.
- B. Snap the distance Capax 3262 (3) to the BASE-C profile every 600 mm and secure with a self-drilling screw at the intersections.
- C. Optionally, install an Acoustex felt with some self-adhesive tape to keep it in place during the installation.
- D. Attach the Capax U-FIX clips (4) flush to the BASE-C profile with demountable clips or permanent screws. This step will also hold the Acoustex in place permanently.
- E. Twist the U-FIX (4) clips 90° to a perpendicular position to the BASE-C.
- F. Press the Ribs (6) onto the U-FIX clips and if needed, use a squeezing clamp carefully. Use a fixture, during this installation step F, to align the Ribs.
- G. Install insulation material on top to fill the air gap behind the Rib if required.


GUSTAFS